



[www.jmess.org](http://www.jmess.org)

---

**JOURNAL OF**  
**Multidisciplinary**  
**Engineering Science**  
**Studies**

JMESS

(Journal of Multidisciplinary Engineering Science Studies) (ISSN: 2458-925X)

[HOME](#) [ABOUT US](#) [CALL FOR PAPER](#) [TOPICS](#) [FOR AUTHORS](#) [BROWSE ARCHIVE](#) [PEER REVIEW](#) [CONTACT US](#)


## HOME



Call for Papers – April -2023 **NEW!**

[Click here for more Details](#)

[Submit Your Paper for Review](#)

## News &amp; Updates

[Editorial Board Members](#)

JMESS invites Research/Review paper from various engineering disciplines for Vol.9 Issue 4 (April - 2023)

[SUBMIT NOW!](#)



ISSN for JMESS Digital Library is :

ISSN: 2458-925X (Online)



[JMESS Paper Template](#)

[Copyright Agreement Form](#)

[Editorial Board Members](#)

[Article Correction Policy](#)

[Publication Ethics Policy](#)

[Join As Reviewer](#)



**Journal of Multidisciplinary Engineering Science Studies** is peer-reviewed, online international journal published monthly.

ISSN for JMESS Digital Library is : **ISSN: 2458-925X (Online)**

JMESS is a highly-selective journal, covering topics that appeal to a broad readership of various branches of engineering , science and related fields.

The JMESS has many benefits all geared toward strengthening research skills and advancing academic careers. Journal publications are a vital part of academic career advancement.

**JMESS – Author Benefits specific to paper publications:**

Easy & Rapid paper publishing process.

JMESS is indexed in Google Scholar, Arxiv, ResearchGate, Scirus, getCITED and many more.

We have prestigious academic journal reviewers team from world's renowned universities.

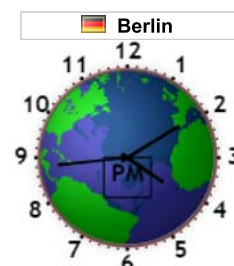
Open Access Journal Database for High visibility and promotion of your articles.

“JMESS” is steered by a distinguished Board of Editors and is supported by an international review board consisting of prominent individuals representing many well-known universities, colleges, and corporations in the **United States, United Kingdom, Germany, Australia, Canada, Japan, China, India and many more.** [where to buy dnp uk](#)

To maintain a high-quality journal, manuscripts that appear in the JMESS Articles section have been subjected to a rigorous review process. This includes blind reviews by one or more members of the international editorial review board, followed by a detailed review by the JMESS editors.

As provider of Engineering and Science Open Access Journal , JMESS serves more than million of Engineers, Scholars, Scientists, students and information professionals worldwide. [casino malaysia](#)

**We help our authors in advance engineering research in different branches like Computer, Electrical, Electronics, Mechanical, Production, Environment, Communication, Information Technology etc. and in science fields by providing world-class information and innovative tools that help them make critical decisions, enhance productivity and improve outcomes.** [casino singapore](#)



Share

Editor-in-Chief, Journal of Multidisciplinary Engineering Science Studies

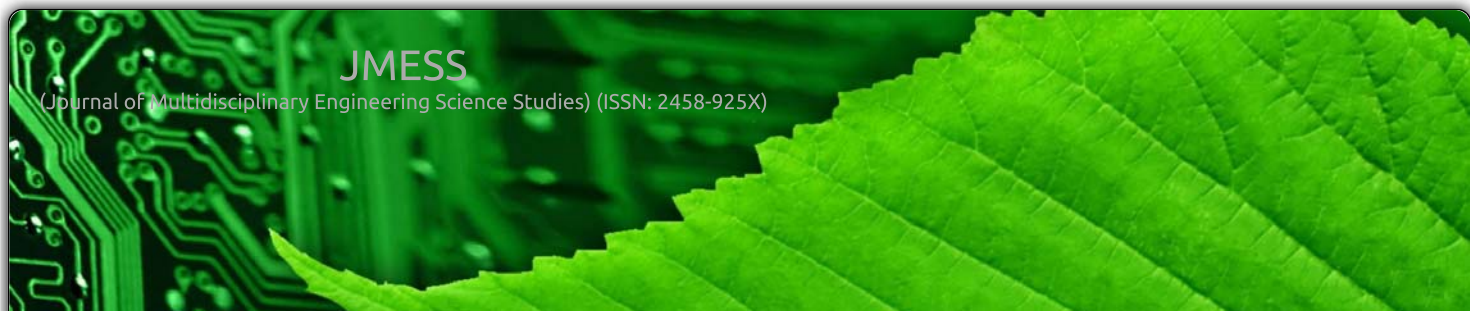


**1766020**

Views Today : 85

Who's Online : 1

Copyright © JMESS



**JMESS**  
(Journal of Multidisciplinary Engineering Science Studies) (ISSN: 2458-925X)

HOME ABOUT US CALL FOR PAPER TOPICS FOR AUTHORS BROWSE ARCHIVE PEER REVIEW CONTACT US

### Editorial Board Members

Show 30  entries

Search:

Name	Branch	Institution/Affiliation	Country
Dr. Haiyan Henry Zhang	Mechanical Engineering Technology	Purdue University	United States of America
Dr. Gaetano Zuccaro	Chemical Engineering	LBE, Univ Montpellier, INRA, 102 avenue des Etangs, F-11100 Narbonne, France	France
Dr. Mariya Aleksandrova	Materials and Metallurgy Engineering	Technical University of Sofia, Bulgaria	Bulgaria
Dr. Anka Trajkovska	Materials and Metallurgy Engineering	St. Clement of Ohrid University of Bitola	Macedonia
Dr. Behrouz Takabi	Mechanical Engineering	Texas A&M University	United States of America
Dr. Vinod Kumar Verma	Computer Science	SLIET, LONGOWAL	India
Dr. Harast Aliaxandr Ivanavich	Materials and Metallurgy Engineering	Belarussian State University of Technology	Belarus
Dr. Mihaela Picu	Environmental Engineering	University "Dunarea de Jos" from Galati	Romania
Dr. Ali Tariq Bhatti	Electrical Engineering	NC A&T State University	United States of America
Dr. Olga Solcova	Chemical Engineering	Institute of Chemical Process Fundamentals of the ASCR	Czech Republic
Dr. Viruntachar Kruefu	Ceramic Engineering	Program in Nanoscience and Technology, Faculty of Science, Maejo University	Thailand
Dr. René Bikomo Mbonomo	Agricultural Engineering	Univesity of Dshang	Cameroon
Dr. Dimitrios Mazarakos	Aeronautical and Astronautical Engineering	University of Patras	Greece
Dr. Svetla Dimitrova Stoilova	Transport Engineering, Transport Management	Technical University-Sofia, Bulgaria	Bulgaria
Dr. Volodymyr Maslov	Optical Engineering	V.Lashkaryov ISP NANU	Ukraine
Dr. Ibrahim Gunes	Materials Engineering	Afyon Kocatepe University	Turkey

### News & Updates

[Editorial Board Members](#)

[JMESS invites Research/Review paper from various engineering disciplines for Vol.9 Issue 4 \(April - 2023\)](#)

[SUBMIT NOW!](#)



ISSN for JMESS Digital Library is :

ISSN: 2458-925X (Online)



[JMESS Paper Template](#)

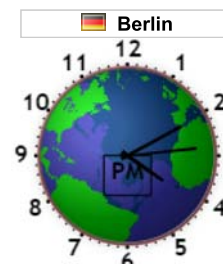
[Copyright Agreement Form](#)

[Editorial Board Members](#)

[Article Correction Policy](#)

[Publication Ethics Policy](#)

[Join As Reviewer](#)



Share



Name	Branch	Institution/Affiliation	Country
Dr. Safarov Ismoil	Mechanical Engineering	Bukhara Technological- Institute of Engineering	Uzbekistan
Dr. Bipin J. Agrawal	Textile Chemistry	The M. S. University of Baroda	India
Dr. S Hyder Ali	Electronics and Communication Engineering	Buraydha Colleges, Saudi Arabia	Saudi Arabia
Dr. Seyed Hamed Hashemi Mehne	Aeronautical and Astronautical Engineering	Aerospace Research Institute	Iran
Dr. Emmanuel Asuming Frimpong	Electrical Engineering	Kwame Nkrumah University of Science and Technology	Ghana
Dr. Sammy Musundi Wabomba	Mathematics	CHUKA UNIVERSITY	Kenya
Dr. Juan Fernando Cárdenas González	Water and Soils Biorremediation	Autonomous University of San Luis Potosi	Mexico
Dr. Santanu Mishra	Physics	Haldia Insitute of Technology	India
Dr. Hijazi Akram	Chemical Engineering	Lebanese University	Lebanon
Lecturer Diala Atiyat	Environmental Engineering	Albalqa'a Aplied University	Jordan
Dr. Dhurata Valera	Mathematics	University of Elbasan "Aleksandër Xhuvani", Albania	Albania
Dr. Tossaporn Chamsai	Electrical Engineering	Rajamangala University of Technology Isan	Thailand
Dr. Nor Bahiyah Baba	Materials and Metallurgy Engineering	TATI University College	Malaysia
Ing. Peter Rantuch	Materials Science and Technology	Slovak University of Technology in Bratislava	Slovakia

**1766020**

Views Today : 86

Who's Online : 1

Showing 1 to 30 of 30 entries

◀ Previous Next ▶



# Journal of Multidisciplinary Engineering Science Studies

ISSN: 2458-925X (Online)

Vol. 6 Issue 11, November - 2020

Paper Title	Pages
Artificial Neural Network And Time Series Modeling Of Predicted Future Production With Lentil Production In Turkey And Analysis Authors: Senol Çelik	3564-3568
Liquid Cooling Model Of Axial Bldc Motor Authors: Kristyadi Tarsisius; Marsono; Sahril Sayuti	3569-3573
Design And Development Of A Third Generation Balanced Scorecard Prototype That Facilitates Strategic Implementation In Automotive Organizations Authors: Braulio López Morales; Roberto Baeza Serrato	3574-3580

# Liquid Cooling Model Of Axial Bldc Motor

**Kristyadi Tarsisius**

Institut Teknologi Nasional Bandung  
Jl. PHH. Mustofa no 23 Bandung Indonesia  
Email: kristyadi@itenas.ac.id

**Marsono**

Institut Teknologi Nasional Bandung  
Jl. PHH. Mustofa no 23 Bandung Indonesia  
Email : msn.a.kasa@gmail.com

**Sahril Sayuti**

Institut Teknologi Nasional Bandung  
Jl. PHH. Mustofa no 23 Bandung Indonesia  
Email :sahril@itenas.ac.id

**Abstract**— Brushless DC motors (BLDC) is electric motor with high efficiency and excellent controllability, and are widely used in many applications. This paper explains the analysis of a 5 kW liquid cooling BLDC motor numerically. This motor is an axial BLDC motor which is composed of a stator consisting of an armature and a magnetic rotor. Numerically analysis show that cooling temperature have significant effect on power and efficiency of motor. Lower of cooling temperature produce higher motor power and efficiency. Low temperature liquid cooling motor can produce maximum power up to 6 kW and up to 88.0 % of efficiency, while air cooling motor can produce maximum power up to 3.5 kW and up to 55.0% efficiency. From above calculation it can be concluded that proper cooling process can increase efficiency up to 33 %.

**Keywords**—Axial, BLDC, rotor, stator, windings

## I. INTRODUCTION

Brushless DC motors (BLDC) is electric motor with high efficiency and excellent controllability, and are widely used in many applications. The BLDC motor has power-saving advantages relative to other motor types [1]. This paper describes the modeling of heat transfer and cooling processes in liquid-cooled BLDC motors. Many studies have shown that the working temperature of an electric motor affects the performance of the motor. Temperature affects maximum power and efficiency. The higher the motor temperature, the maximum power will decrease and result in decreased efficiency [2].

This is because increasing temperature reduces the insulation resistance of the windings, generates thermal stress, and reduces efficiency [3].

One method to reduce the operating temperature of the BLDC motor is liquid cooling. In general, liquids have a higher thermal conductivity than air, which increases the rate of heat transfer from the motor to the surrounding air [4].

## II. MOTOR DESCRIPTION

In this modeling, the BLDC motor used is the axial type BLDC which consists of the main components of the rotor, stator, bearings and casing. The motor stator consists of a copper wire wound on a core (armature). Armature core is made from pure iron powder with 99% Fe content mixed with carbon fiber resin as the bounding. The stator winding (armature) uses copper wire coated with an insulator with a total diameter of 0.6 mm. The rotor on the BLDC motor consists of 12 pairs of permanent magnets. The magnets used in axial Brushless DC motors are neodymium types which are strong magnets that have a very wide range of applications [5,6].

Figure 1. shows a stator which consist of a core and copper windings forming a core and armature unit.



Figure 1 Stator consist of core and armature

A rotor piece consist of 8 pairs of neodymium magnet is shown in Figure 2.



Figure 2 Magnetic rotor

General arrangement of the BLDC motor to be analyzed is described at Figure 3.

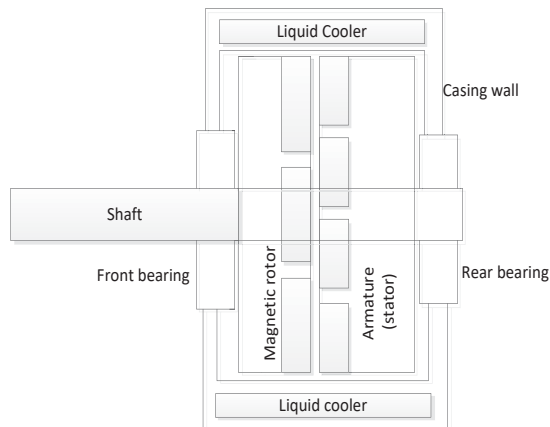


Figure 3 General arrangement of BLDC motor to be analyzed.

This motor has a nominal power of 5 kW and can generate maximum power of up to 7 kW at maximum speed 6000 rpm which electric input power of 60 V DC Maintaining the Integrity of the Specifications

### III. NUMERICAL ANALYSIS

#### A. MODEL FORMULATION

This paper discusses liquid cooling process in a 5 kW BLDC motor. The motor input is electric power at voltage 60 V with 90% rate efficiency and operated of about 2000-6000 rpm. The motor consist of an armature and single magnetic rotor. MAXWELL criteria is applied for simulation do Electromagnetic losses such as coreloss and copper losses, while losses due to bearing friction are neglected [7]. Heat Generation on BLDC Motor Losses that occur in Electric Motors can be classified as resistive losses, Eddy current and hysteresis. Mechanical power of rotor is calculated based on Torque. In the case of Eddy current below equation can be used [8]:

$$P_{ey} = K_e \frac{8 f^2 B_m^2}{\pi \beta_m} \quad (1)$$

where f is the frequency of the flux variation, Bm is the peak flux density, βm is the arc of the tooth and width of the mast respectively in the electric radians, Ke is the curve of the fit constant calculated from the data of the loss of the laminate.

The hysteresis is modelled using below equation [9]:

$$P_h = K_h f^\alpha B_m^\beta \quad (2)$$

where f is the frequency of the flux variation, Bm is the peak density of the flux Kh, Ke, α, β is the fit curve calculated from the data of the loss of the laminate.

Resistive model for heat transfer is described based of the following figure:

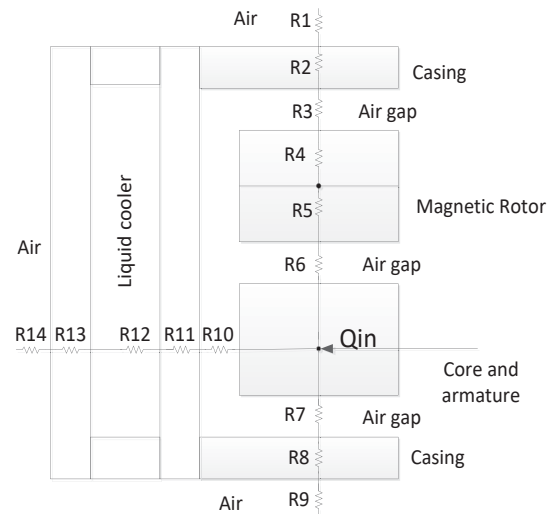


Figure 4. Liquid cooled motor thermal circuit model

Figure 4 shows the thermal circuit of liquid cooled motor, where heat generate from from core and armature is transferred to atmospheric air axially and also transferred to liquid cooler radially. Symbol R is represent thermal resistance of material and described as following:

- R1, R9 and R 14 are radiative thermal resistance from casing surface to surrounding air.
- R2, R8, R11 and R13 are conductive in casing wall.
- R3, R6, R7 and R 10 are air gap convective thermal resistance
- R4 and R5 are conductive in magnetic rotor
- R12 is convective in liquid cooler.

In this model air gap between the armature/core and casing, and air gap between core/armature and magnetic rotor uses Silicone Thermal Grease with a thermal conductivity of 6.2 W / mK as thick as 0.5 mm [10,11].

The magnitude of heat transfer Q from the Core and winding armature to the atmospheric air through air gap and liquid cooler depends on the convection coefficient where calculated based on following equation[12]:

$$Q = hA(T_s - T_a) \quad (3)$$



Where  $A$  is surface area,  $T_s$  is surface temperature and  $T_a$  is atmospheric temperature.  
 $h$  is convection coefficient that described as [12]:

$$h = \frac{k}{D} (0.11)[0.5Re^2 + GrPr]^{0.35} \quad (4)$$

where :

$k$  is thermal conductivity

$D$  is diameter

$Re$  is Reynolds number

$Gr$  is Grasoft number

$Pr$  is Prantl number

$T_s$  is Temperature of surface (casing and core)

$T_a$  is air or liquid temperature

### Model of mechanical power of Rotor

Rotor rotation is governed by the mechanical equation below [13]:

$$J_m \frac{d\omega}{dt} = T_e - T_L + D\omega \quad (5)$$

Where  $J_m$  is the total moment of inertia  $\omega$  is the rotor speed;  $T_e$  is the electromagnetic torque,  $D$  is the damping coefficient and  $T_L$  is the torque required to drive the load.

### B. CALCULATION PROCEDURE

The purpose of the simulation is to calculate the power and efficiency of the motor. Electrical energy is supplied to the motor with 60 V of voltage and 85 A of current. The input energy is transferred to mechanical energy ( $P_{mech}$ ) and Electrical losses described above. The all parameter are calculated based on numerical using commercial software. The heat source of motor is on the winding and core where heatflux are transferred axially and radially.

### C. CALCULATION RESULT

Result of calculation using numerical analysis based on commercial software was focused on effect of cooling media on the motor performance. In the first stage temperature distribution inside motor is calculated. In this case, 5 KW BLDC motor was cooled by water and set as 20°C. In this condition, thermal conductivity of water is 12 W/mK [12]. Numerical simulation result temperature distribution of motor radially and axially. It is shown in Figure 5 and Figure 6.

Figure 5 show that on motor casing radially the temperature distribution relatively symmetric, but in motor armature is seem higher temperature. Highest temperature occur at motor armature where in this point energy input is converted. Similar situation is shown in Figure 6 where temperature distribution at axial direction relatively balance from front to rear of the motor.

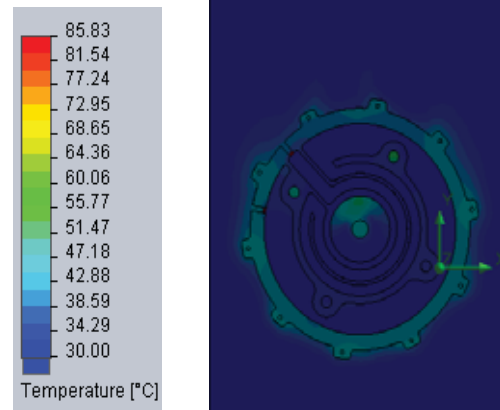


Figure 5 Water cooled Motor temperature distribution at radial direction

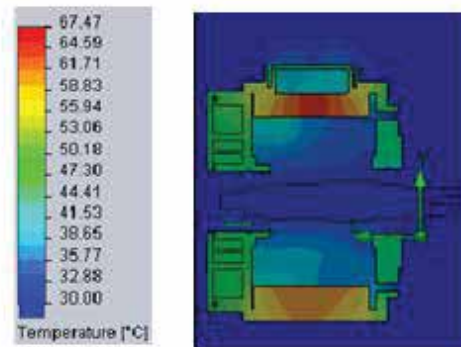


Figure 6. Cross section temperature distribution on water cooled BLDC motor

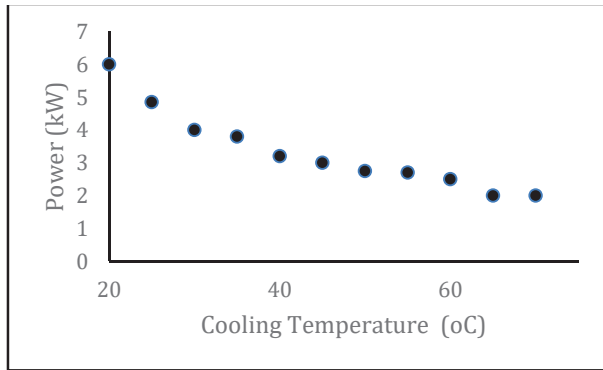


Figure 7 . Effect of cooling temperature to motor power.

Similar calculation using various water temperature and motor speed. Water temperature is set as 20°C, 22°C, 24°C, 50°C, 60 °C and 70°C and motor speed is varied form 1500 rpm to 3500 rpm

Based on numerical analysis, based on previous calculation procedure, motor power and efficiency can be summarized in Figure 7 to Figure 9. In this figure, effect of cooling temperature on motor power is explained. Figure 7 show that higher cooler temperature cause lower power. This is in line with the theory described in the introduction, that the higher the temperature causes the magnetic strength to decrease, causing the motor power to decrease. Low cooling temperature is capable of producing maximum motor power as shown in the motor specifications, 20°C water cooling can produce 6 kW motor power. In Figure 8 and Figure 9 show a close correlation regarding motor performance by type of cooling. Liquid cooler have higher heat transfer rate and provides a greater cooling rate so that the stator and rotor temperatures are relatively low, result in higher motor power (Figure 8). As power increases, the water cooled motor efficiency is also higher than air-cooled motors. This can be seen in the Figure 9. From Figure 8 and Figure 9, it can be seen that liquid cooling motor can produce maximum power of 5.2 kW and up to 88.0 % of efficiency, while air cooling motor can produce maximum power up to 3.5 kW and up to 55.0% efficiency

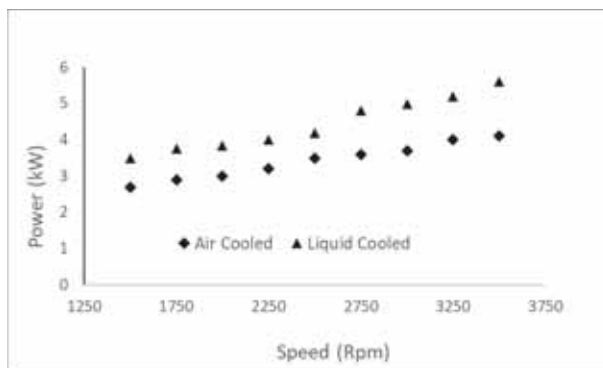


Figure 8. Motor power based on cooler type at various speed.

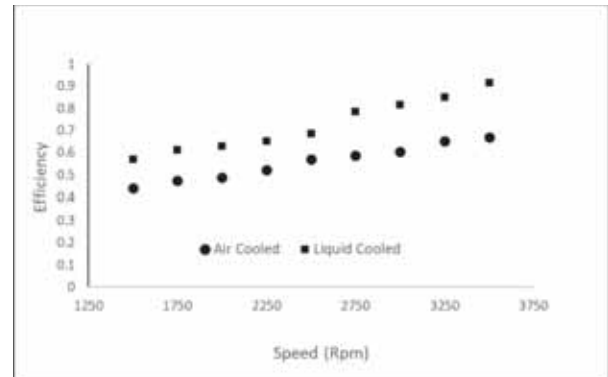


Figure 9. Motor power based on cooler type at various speed.

#### IV. CONCLUSION

Numerical analysis of Effect of cooling temperature on 5 kW axial BLDC motor power and efficiency were presented. The motor power was calculated based on input power minus losses power and efficiency was calculated based power input and power output. Using commercial software calculation show that cooling temperature have significant effect on power and efficiency of motor. Lower of cooling temperature produce higher motor power and efficiency. Low temperature liquid cooling motor can produce maximum power up to 6 kW and up to 88.0 % of efficiency, while air cooling motor can produce maximum power up to 3.5 kW and up to 55.0% efficiency. From above calculation it can be concluded that proper cooling process can increase efficiency up to 33 %.

#### ACKNOWLEDGMENT

This research paper is funded from Indonesia Government in “Penelitian Terapan Unggulan Perguruan Tinggi” scheme year 2019.

#### REFERENCES

- [1] Jang, S. M., Cho, H., and Choi, S. K., *Design and Analysis of High-Speed Brushless DC Motor for Centrifugal Compressor*, IEEE Transaction on Magnetics, Vol. 43, 2007, pp. 2573-2575,
- [2] Vu, Duc Thuan., *New Cooling System Design of BLDC Motor for Electric Vehicle Using Computation Fluid Dynamics Modeling*, Journal of the KSTLE Vol. 29, No. 5, October 2013, pp. 318~323.
- [3] Cezario, Cassiano Antunes, et al., *Transient Thermal Analysis of an Induction Electric Motor*, 18th International Congress of Mechanical Engineering November 6-11, 2005, Ouro Preto, MG

- 
- [4] Fasil, Muhammed, et al. 2015., *Numerical and Experimental Investigation of Heat Flow in Permanent Magnet Brushless DC Hub Motor*, SAE International J. Alt. Power./ Volume 4, Issue 1, May 2015.
- [5] Kuria, James dan Hwang, Pyung, *Optimizing Heat Sink Geometry for Electric Vehicle BLDC Motor Using CFD*, Kenya : Kenyatta University of Agriculture and Technology, 2007
- [6] Faiz, J., Ganji, B., Carstensen, C.E., et al., *Temperature rise analysis of switched reluctance motors due to electromagnetic losses*, *IEEE Trans. Magn.*, **45**, (7), 2009, pp. 2927–2934
- [7] Fu. L. M., Lin. C., Chand. C. L., Chand. J., & Tsai. C. H., *Numerical Investigation into Thermal Behavior of Brushless Permanent Magnet Motors*. Advanced Materials Research, 2011, pp.199–200, 1518–1522.
- [8] Han, S., Jahns, T.M., Zhu, Z.Q., *Analysis of rotor core eddy-current losses in interior permanent magnet synchronous machines*, Industry Applications Society Annual Meeting, Edmonton, Alta, October 2008.
- [9] Zhang, Y., Cheng, M.C., Pillay, P., *Magnetic characteristics and excess eddy current losses*, Industry Applications Society Annual Meeting, Houston, TX, 2009
- [10] Yoheswaran, B., Pullen, K.R., *Flow and convective heat transfer in disk-type electric machines with coolant flow*, Int. Conf. on Electrical Machines (ICEM), 2014
- [11] Zhang, Y., Ruan, J., Huang, T., et al., *Calculation of temperature rise in aircooled induction motors through 3-D coupled electromagnetic fluid dynamical and thermal finite-element analysis*, *IEEE Trans. Magn.* **48**,(2), 2012, pp. 1047–1050
- [12] Chandrakant, Shinde Sandip, et al., *Numerical And Experimental Analysis Of Heat Transfer Through Various Types Of Fin Profiles By Forced Convection*, International Journal of Engineering Research & Technology (IJERT) Vol. 2 Issue 7, July 2013
- [13] Yang, Y., Schofield, N., Emadi, A., *Integrated electro-mechanical doubler rotor compound hybrid transmissions for hybrid electric vehicles*, *IEEE Trans. Veh. Technol.*, **65**, (6), 2016, pp. 4687–4699

# Liquid Cooling Model Of Axial Bldc Motor

*By* Tarsisius K

# Liquid Cooling Model Of Axial Bldc Motor

**Kristyadi Tarsisius**

Institut Teknologi Nasional Bandung  
Jl. PHH. Mustofa no 23 Bandung Indonesia  
Email: kristyadi@itenas.ac.id

**Marsono**

Institut Teknologi Nasional Bandung  
Jl. PHH. Mustofa no 23 Bandung Indonesia  
Email : msn.a.kasa@gmail.com

**Sahril Sayuti**

Institut Teknologi Nasional Bandung  
Jl. PHH. Mustofa no 23 Bandung Indonesia  
Email :sahril@itenas.ac.id

**Abstract**— Brushless DC motors (BLDC) is electric motor with high efficiency and excellent controllability, and are widely used in many applications. This paper explains the analysis of a 5 kW liquid cooling BLDC motor numerically. This motor is an axial BLDC motor which is composed of a stator consisting of an armature and a magnetic rotor. Numerically analysis show that cooling temperature have significant effect on power and efficiency of motor. Lower of cooling temperature produce higher motor power and efficiency. Low temperature liquid cooling motor can produce maximum power up to 6 kW and up to 88.0 % of efficiency, while air cooling motor can produce maximum power up to 3.5 kW and up to 55.0% efficiency. From above calculation it can be concluded that proper cooling process can increase efficiency up to 33 %.

**Keywords**—Axial, BLDC, rotor, stator, windings

## I. INTRODUCTION

Brushless DC motors (BLDC) is electric motor with high efficiency and excellent controllability, and are widely used in many applications. The BLDC motor has power-saving advantages relative to other motor types [1]. This paper describes the modeling of heat transfer and cooling processes in liquid-cooled BLDC motors. Many studies have shown that the working temperature of an electric motor affects the performance of the motor. Temperature affects maximum power and efficiency. The higher the motor temperature, the maximum power will decrease and result in decreased efficiency [2].

This is because increasing temperature reduces the insulation resistance of the windings, generates thermal stress, and reduces efficiency [3].

One method to reduce the operating temperature of the BLDC motor is liquid cooling. In general, liquids have a higher thermal conductivity than air, which increases the rate of heat transfer from the motor to the surrounding air [4].

## II. MOTOR DESCRIPTION

In this modeling, the BLDC motor used is the axial type BLDC which consists of the main components of the rotor, stator, bearings and casing. The motor stator consists of a copper wire wound on a core (armature). Armature core is made from pure iron powder with 99% Fe content mixed with carbon fiber resin as the bounding. The stator winding (armature) uses copper wire coated with an insulator with a total diameter of 0.6 mm. The rotor on the BLDC motor consists of 12 pairs of permanent magnets. The magnets used in axial Brushless DC motors are neodymium types which are strong magnets that have a very wide range of applications [5,6].

Figure 1. shows a stator which consist of a core and copper windings forming a core and armature unit.

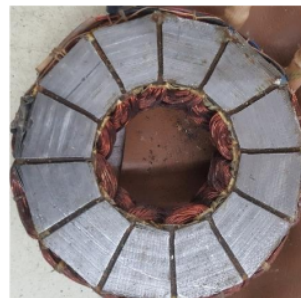


Figure 1 Stator consist of core and armature

A rotor piece consist of 8 pairs of neodymium magnet is shown in Figure 2.



Figure 2 Magnetic rotor

General arrangement of the BLDC motor to be analyzed is described at Figure 3.

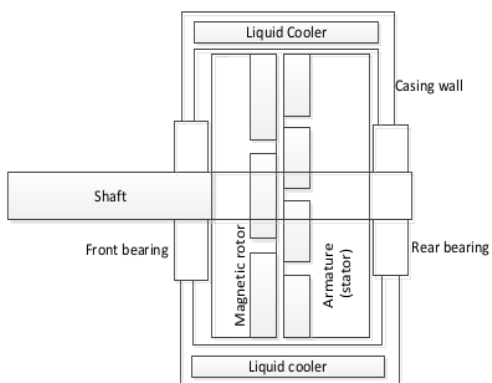


Figure 3 General arrangement of BLDC motor to be analyzed.

This motor has a nominal power of 5 kW and can generate maximum power of up to 7 kW at maximum speed 6000 rpm which electric input power of 60 V DC Maintaining the Integrity of the Specifications

### III. NUMERICAL ANALYSIS

#### A. MODEL FORMULATION

This paper discusses liquid cooling process in a 5 kW BLDC motor. The motor input is electric power at voltage 60 V with 90% rate efficiency and operated of about 2000-6000 rpm. The motor consists of an armature and single magnetic rotor. MAXWELL criteria is applied for simulation do Electromagnetic losses such as core loss and copper losses, while losses due to bearing friction are neglected [7]. Heat Generation on BLDC Motor Losses that occur in Electric Motors can be classified as resistive losses, Eddy current and hysteresis. Mechanical power of rotor is calculated based on Torque. In the case of Eddy current below equation can be used [8]:

$$P_{ey} = K_e \frac{8 f^2 B_m^2}{\pi \beta_m} \quad (1)$$

where  $f$  is the frequency of the flux variation,  $B_m$  is the peak flux density,  $\beta_m$  is the arc of the tooth and width of the magnet respectively in the electric radians,  $K_e$  is the curve of the fit constant calculated from the data of the loss of the laminate.

The hysteresis is modelled using below equation [9]:

$$P_h = K_h f^\alpha B_m^\beta \quad (2)$$

where  $f$  is the frequency of the flux variation,  $B_m$  is the peak density of the flux  $K_h$ ,  $K_e$ ,  $\alpha$ ,  $\beta$  is the fit curve calculated from the data of the loss of the laminate.

Resistive model for heat transfer is described based of the following figure:

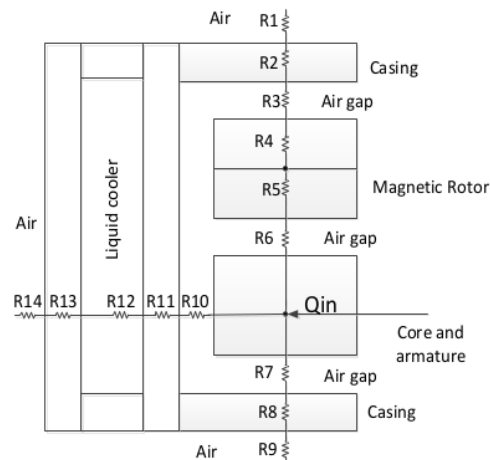


Figure 4. Liquid cooled motor thermal circuit model

Figure 4 shows the thermal circuit of liquid cooled motor, where heat generate from from core and armature is transferred to atmospheric air axially and also transferred to liquid cooler radially. Symbol  $R$  is represent thermal resistance of material and described as following:

- $R_1$ ,  $R_9$  and  $R_{14}$  are radiative thermal resistance from casing surface to surrounding air.
- $R_2$ ,  $R_8$ ,  $R_{11}$  and  $R_{13}$  are conductive in casing wall.
- $R_3$ ,  $R_6$ ,  $R_7$  and  $R_{10}$  are air gap convective thermal resistance
- $R_4$  and  $R_5$  are conductive in magnetic rotor
- $R_{12}$  is convective in liquid cooler.

In this model air gap between the armature/core and casing, and air gap between core/armature and magnetic rotor uses Silicone Thermal Grease with a thermal conductivity of 6.2 W / mK as thick as 0.5 mm [10,11].

The magnitude of heat transfer  $Q$  from the Core and winding armature to the atmospheric air through air gap and liquid cooler depends on the convection coefficient where calculated based on following equation[12]:

$$Q = hA(T_s - T_a) \quad (3)$$

Where  $A$  is surface area,  $T_s$  is surface temperature and  $T_a$  is atmospheric temperature.  $h$  is convection coefficient that described as [12]:

$$h = \frac{k}{D} (0.11)[0.5Re^2 + GrPr]^{0.35} \quad (4)$$

where :

$k$  is thermal conductivity

$D$  is diameter

$Re$  is Reynolds number

$Gr$  is Grashof number

$Pr$  is Prantl number

$T_s$  is Temperature of surface (casing and core)

$T_a$  is air or liquid temperature

#### Model of mechanical power of Rotor

Rotor rotation is governed by the mechanical equation below [13]:

$$J_m \frac{d\omega}{dt} = T_e - T_L + D\omega \quad (5)$$

Where  $J_m$  is the total moment of inertia  $\omega$  is the rotor speed;  $T_e$  is the electromagnetic torque,  $D$  is the damping coefficient and  $T_L$  is the torque required to drive the load.

#### B. CALCULATION PROCEDURE

The purpose of the simulation is to calculate the power and efficiency of the motor. Electrical energy is supplied to the motor with 60 V of voltage and 85 A of current. The input energy is transferred to mechanical energy ( $P_{mech}$ ) and Electrical losses described above. The all parameter are calculated based on numerical using commercial software. The heat source of motor is on the winding and core where heatflux are transferred axially and radially.

#### C. CALCULATION RESULT

Result of calculation using numerical analysis based on commercial software was focused on effect of cooling media on the motor performance. In the first stage temperature distribution inside motor is calculated. In this case, 5 KW BLDC motor was cooled by water and set as 20°C. In this condition, thermal conductivity of water is 12 W/mK [12]. Numerical simulation result temperature distribution of motor radially and axially. It is shown in Figure 5 and Figure 6.

Figure 5 show that on motor casing radially the temperature distribution relatively symmetric, but in motor armature is seem higher temperature. Highest temperature occur at motor armature where in this point energy input is converted. Similar situation is shown in Figure 6 where temperature distribution at axial direction relatively balance from front to rear of the motor.

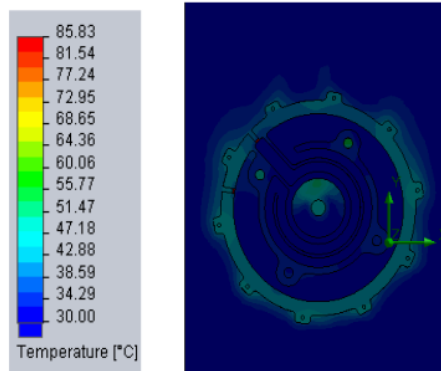


Figure 5 Water cooled Motor temperature distribution at radial direction

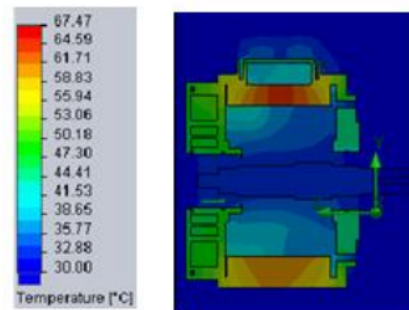


Figure 6. Cross section temperature distribution on water cooled BLDC motor

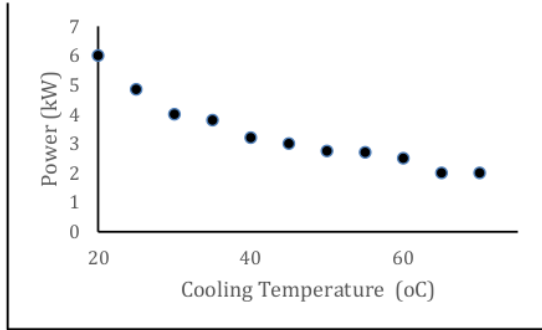


Figure 7 . Effect of cooling temperature to motor power.

Similar calculation using various water temperature and motor speed. Water temperature is set as 20°C, 22°C, 24°C, 50°C, 60 °C and 70°C and motor speed is varied form 1500 rpm to 3500 rpm

Based on numerical analysis, based on previous calculation procedure, motor power and efficiency can be summarized in Figure 7 to Figure 9. In this figure, effect of cooling temperature on motor power is explained. Figure 7 show that higher cooler temperature cause lower power. This is in line with the theory described in the introduction, that the higher the temperature causes the magnetic strength to decrease, causing the motor power to decrease. Low cooling temperature is capable of producing maximum motor power as shown in the motor specifications, 20°C water cooling can produce 6 kW motor power. In Figure 8 and Figure 9 show a close correlation regarding motor performance by type of cooling. Liquid cooler have higher heat transfer rate and provides a greater cooling rate so that the stator and rotor temperatures are relatively low, result in higher motor power (Figure 8). As power increases, the water cooled motor efficiency is also higher than air-cooled motors. This can be seen in the Figure 9. From Figure 8 and Figure 9, it can be seen that liquid cooling motor can produce maximum power of 5.2 kW and up to 88.0 % of efficiency, while air cooling motor can produce maximum power up to 3.5 kW and up to 55.0% efficiency

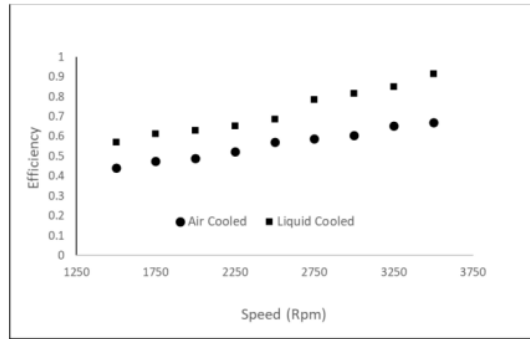


Figure 9. Motor power based on cooler type at various speed.

#### IV. CONCLUSION

Numerical analysis of Effect of cooling temperature on 5 kW axial BLDC motor power and efficiency were presented. The motor power was calculated based on input power minus losses power and efficiency was calculated based power input and power output. Using commercial software calculation show that cooling temperature have significant effect on power and efficiency of motor. Lower of cooling temperature produce higher motor power and efficiency. Low temperature liquid cooling motor can produce maximum power up to 6 kW and up to 88.0 % of efficiency, while air cooling motor can produce maximum power up to 3.5 kW and up to 55.0% efficiency. From above calculation it can be concluded that proper cooling process can increase efficiency up to 33 %.

#### ACKNOWLEDGMENT

This research paper is funded from Indonesia Government in "Penelitian Terapan Unggulan Perguruan Tinggi" scheme year 2019.

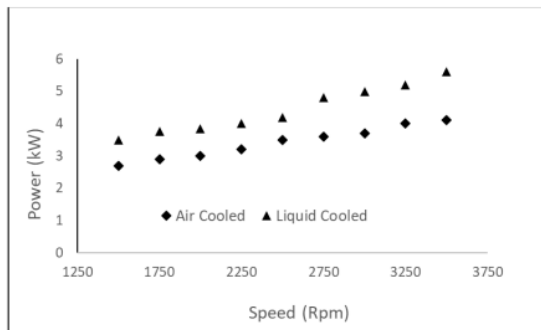


Figure 8. Motor power based on cooler type at various speed.





# Liquid Cooling Model Of Axial Bldc Motor

---

ORIGINALITY REPORT

---

1%

SIMILARITY INDEX

---

PRIMARY SOURCES

---

- 1 HaiShun Sun, Ju Liu, JinYu Wen, ShiJie Cheng, Cheng Luo, LiangZhong Yao. "Participation of large-scale wind power generation in power system frequency regulation", Chinese Science Bulletin, 2013 14 words — 1%
- Crossref

---

EXCLUDE QUOTES OFF  
EXCLUDE BIBLIOGRAPHY OFF

EXCLUDE MATCHES < 1%